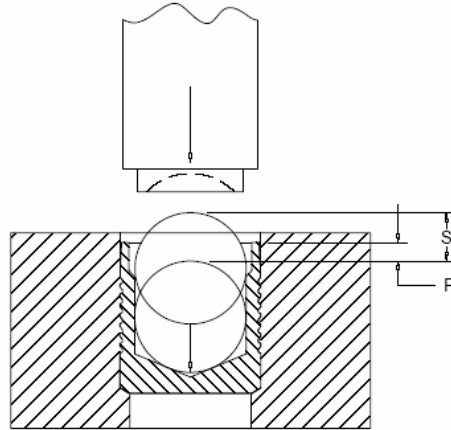


## Installation chart

### CVMSXXX X X 0A Series



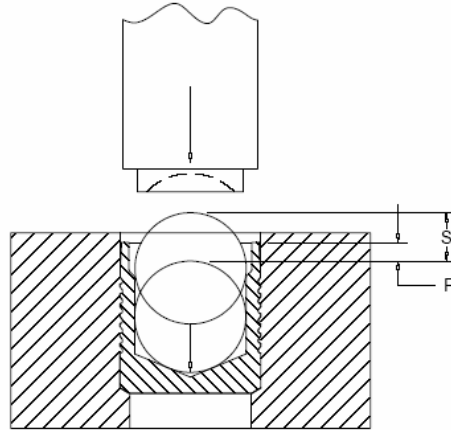
Cv Plugs – Metric Sizes – Standard Length				
Sizes (mm)	Stroke Length (S)		Ball Position* (P)	
	± 0.008 (inch)	± 0.2 (mm)	± 0.004 (inch)	± 0.10 (mm)
3	0.041	1.0	0.007	0.2
4	0.054	1.4	0.008	0.2
5	0.073	1.9	0.010	0.2
6	0.091	2.3	0.010	0.2
7	0.111	2.8	0.010	0.2
8	0.132	3.4	0.010	0.2
9	0.145	3.7	0.010	0.2
10	0.166	4.2	0.010	0.2
12	0.200	5.1	0.010	0.2
14	0.232	5.9	0.010	0.2
16	0.252	6.4	0.010	0.2
18	0.284	7.2	0.010	0.2
20	0.332	8.4	0.010	0.2
22	0.374	9.5	0.010	0.2

\* Position of top of ball relative to top of sleeve

Ball Position is the distance from the top of the ball bearing to the top of the Cv Plug after installation. A negative number denotes that the ball is above the top of the plug.

## Installation chart

### CVESXXX X X 0A Series



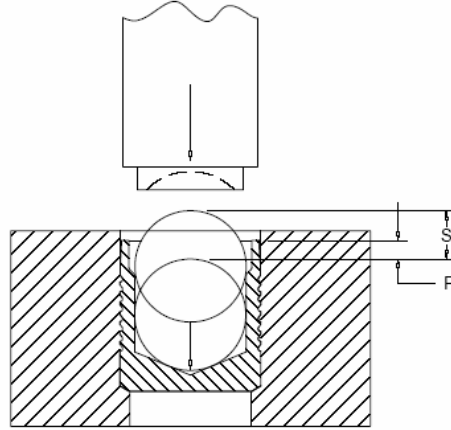
<b>Cv Plugs – English Sizes – Standard Length</b>				
<b>Sizes (inch)</b>	<b>Stroke Length (S)</b>		<b>Ball Position* (P)</b>	
	<b>± 0.008 (inch)</b>	<b>± 0.2 (mm)</b>	<b>± 0.004 (inch)</b>	<b>± 0.10 (mm)</b>
<b>0.156</b>	0.053	1.3	0.008	0.2
<b>0.187</b>	0.066	1.7	0.010	0.2
<b>0.218</b>	0.078	2.0	0.010	0.2
<b>0.250</b>	0.094	2.4	0.010	0.2
<b>0.281</b>	0.110	2.8	0.010	0.2
<b>0.312</b>	0.129	3.3	0.010	0.2
<b>0.343</b>	0.140	3.6	0.010	0.2
<b>0.375</b>	0.153	3.9	0.010	0.2
<b>0.406</b>	0.162	4.1	0.010	0.2
<b>0.437</b>	0.166	4.2	0.010	0.2
<b>0.468</b>	0.199	5.1	0.010	0.2
<b>0.562</b>	0.233	5.9	0.010	0.2
<b>0.625</b>	0.252	6.4	0.010	0.2
<b>0.687</b>	0.289	7.3	0.010	0.2
<b>0.750</b>	0.317	8.1	0.010	0.2
<b>0.875</b>	0.354	9.0	0.010	0.2

\* Position of top of ball relative to top of sleeve

Ball Position is the distance from the top of the ball bearing to the top of the Cv Plug after installation. A negative number denotes that the ball is above the top of the plug.

## Installation chart

### CVESXXX 2 X 1A Series



Cv Plugs – English Sizes – Short Length				
Sizes (inch)	Stroke Length (S)		Ball Position* (P)	
	± 0.008 (inch)	± 0.2 (mm)	± 0.004 (inch)	± 0.10 (mm)
<b>0.093</b>	0.029	0.7	0.005	0.1
<b>0.125</b>	0.042	1.1	0.007	0.2
<b>0.156</b>	0.040	1.0	0.000	0.0
<b>0.187</b>	0.066	1.7	0.010	0.2
<b>0.218</b>	0.063	1.6	0.000	0.0
<b>0.250</b>	0.083	2.1	0.000	0.0
<b>0.281</b>	0.091	2.3	0.000	0.0
<b>0.312</b>	0.107	2.7	0.000	0.0
<b>0.343</b>	0.118	3.0	0.000	0.0
<b>0.406</b>	0.143	3.6	-0.010	-0.2

\* Position of top of ball relative to top of sleeve

Ball Position is the distance from the top of the ball bearing to the top of the Cv Plug after installation. A negative number denotes that the ball is above the top of the plug.