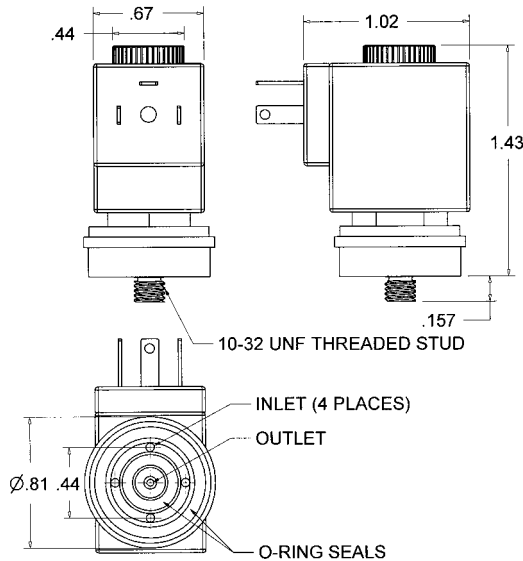


MICRO SOLENOID VALVES

2/2 - SOLENOID VALVE – Normally Closed (N.C.) – Manifold Mount



GENERAL FEATURES

Direct acting solenoid valve. Suitable to shut off liquid and gaseous fluids. Material compatibility is application dependent and should be verified before use with testing.

TECHNICAL FEATURES

Opening time ~ 5 to 15ms
 Closing time ~ 5 to 15ms
 Fluid Temp (Viton Seal) -30°C to 130°C
 Fluid Temp (Buna Seal) -20°C to 90°C

MATERIALS IN CONTACT WITH FLUID*

Body Stainless steel
 Seal Viton or Buna
 Seat Stainless steel
 Internal components Stainless steel
 Guide assembly Nickel plated brass
 Shading ring Copper

COIL

Duty 100% (continuous operation)
 Impregnation 30% glass filled polyester
 Encapsulation material Glass filled nylon
 Insulation Class Class H (200°C) per IEC 317-8
 Ambient temperature -30°C to 70°C
 Electrical connections DIN 43650 C
 Voltages DC 6, 12 or 24 V
 AC 24V/60Hz

*Special materials available upon request.

Port	Valve	Orifice Size (in)	Cv	P Min (PSI)	Max. Operating PD (PSI)				Power Absorption			Seals	Weight (oz)
					Gases		Liquids		AC (VA)		DC (W)		
					AC	DC	AC	DC	Inrush	Holding			
10-32	FB282V040A	0.040	0.036	0	150	150	150	150	4	3	2.4	Viton	2.0
10-32	FB282B040A	0.040	0.036	0	150	150	150	150	4	3	2.4	Buna	2.0

Sealing and Flow Control Solutions



7 Orchard Park Road, Madison, CT 06443 USA
 Tel: +1 (203) 245-1100 Fax: +1 (203) 245-3072
 sales@farmingtoneng.com

www.farmingtoneng.com

